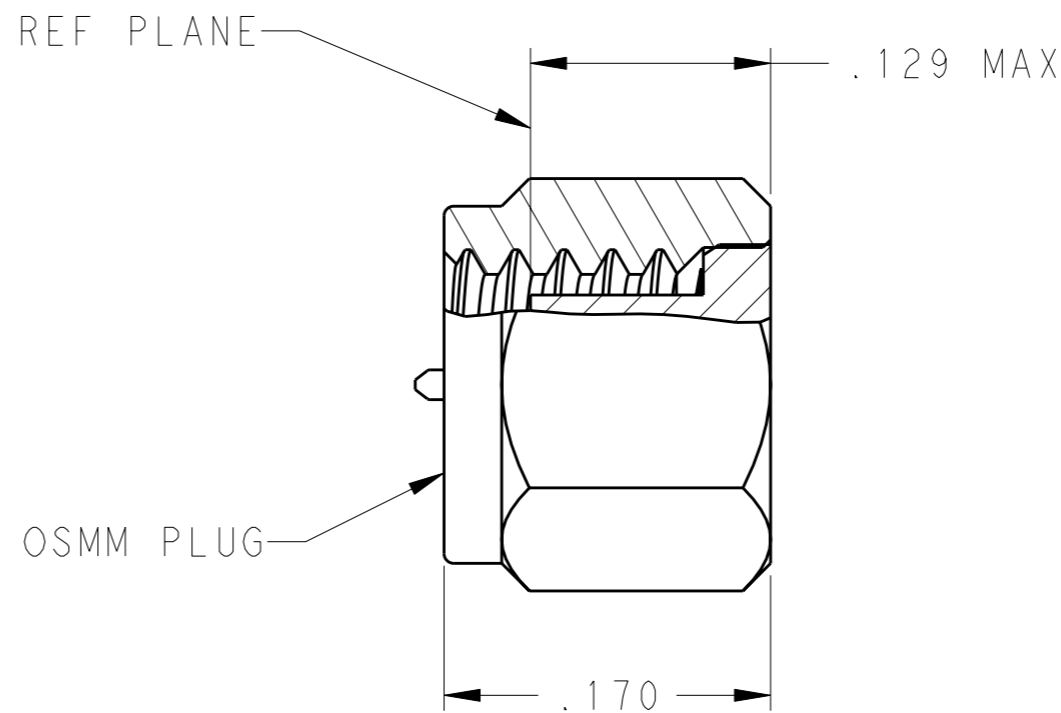
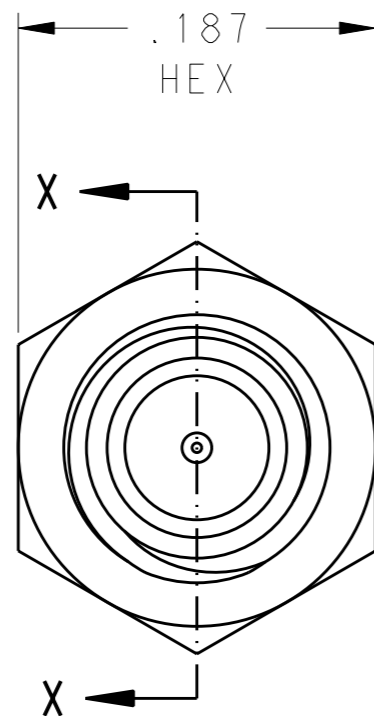


THIS DRAWING IS UNPUBLISHED. RELEASED FOR PUBLICATION

© COPYRIGHT - BY TYCO ELECTRONICS CORPORATION. ALL INTERNATIONAL RIGHTS RESERVED.

LOC	DIST	REVISIONS			
P	LTR	DESCRIPTION	DATE	DWN	APVD
-	-	A	RELEASED PER ECO 10-013224	28JUN2010	CT DW



SECTION X - X

- 1. MAT"L: HOUSING & COUPLING NUT
 STAINLESS STEEL PER ASTM-A-582
 FINISH: GOLD PLATED .000050 MIN THK PER ASTM-B-488
 OVER .000120 MIN THK NICKEL PLATE PER AMS-QQ-N-290

2101881-1
PART NO.

<small>THIS DRAWING IS A CONTROLLED DOCUMENT FOR TYCO ELECTRONICS CORPORATION IT IS SUBJECT TO CHANGE AND THE CONTROLLING ENGINEERING ORGANIZATION SHOULD BE CONTACTED FOR THE LATEST REVISION.</small>		DWN C.C. THOMAS 28JUN2010	Tyco Electronics Corporation Harrisburg, PA 17105-3608	
DIMENSIONS: INCHES	TOLERANCES UNLESS OTHERWISE SPECIFIED:	CHK D. WILSON 28JUN2010	NAME OSSM TERMINATION	
	0 PLC ±-	APVD D. WILSON 28JUN2010	PRODUCT SPEC	
	1 PLC ±-	PRODUCT SPEC	-	
MATERIAL	FINISH	APPLICATION SPEC	SIZE	RESTRICTED TO
-	-	WEIGHT	A300779	-
		CUSTOMER DRAWING	DRAWING NO C-2101881	SCALE
			10:1	SHEET 1 OF 1
				REV A